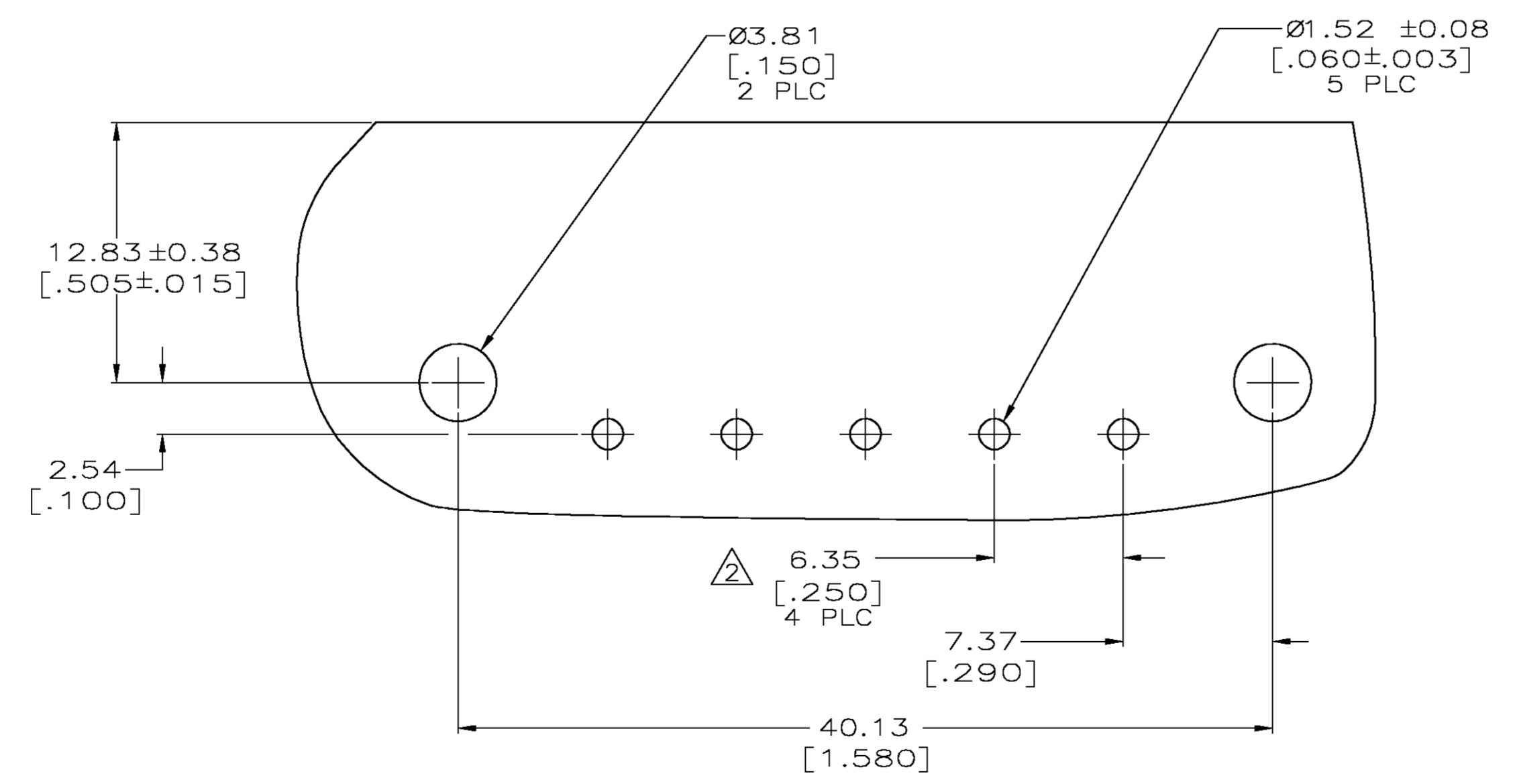
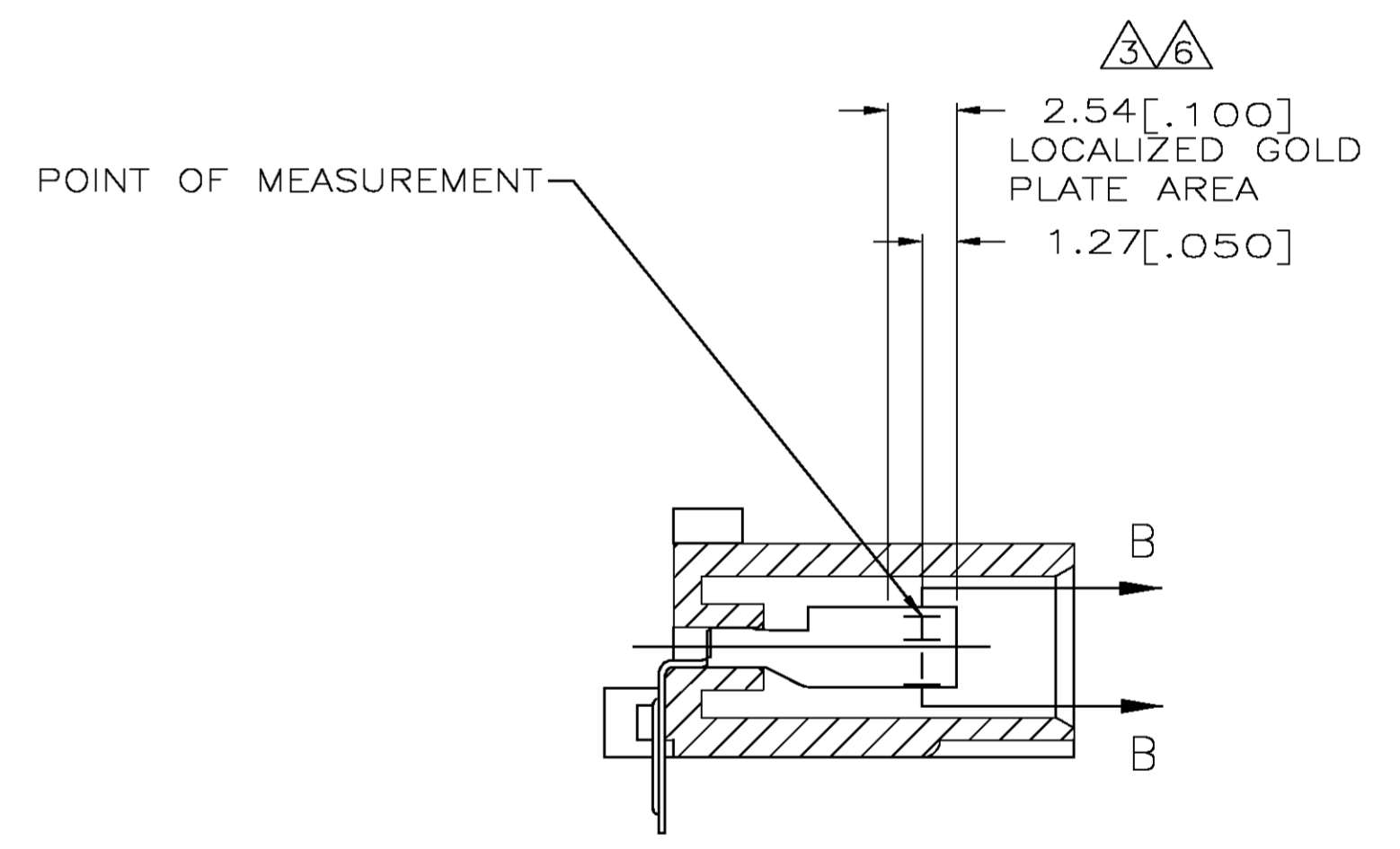
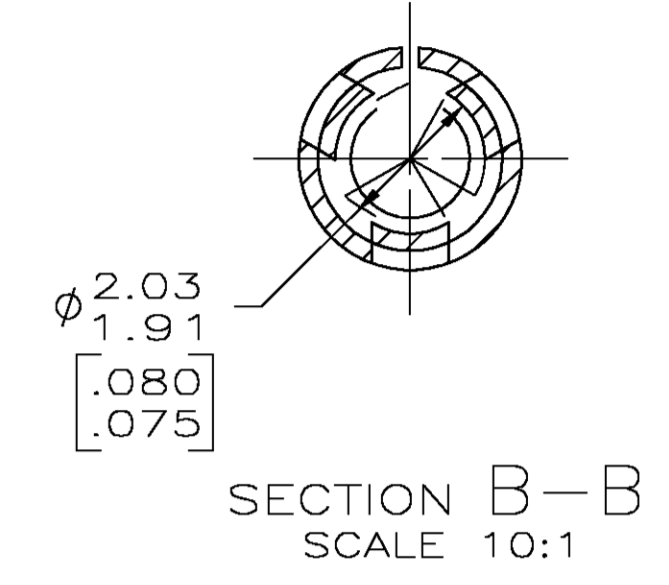
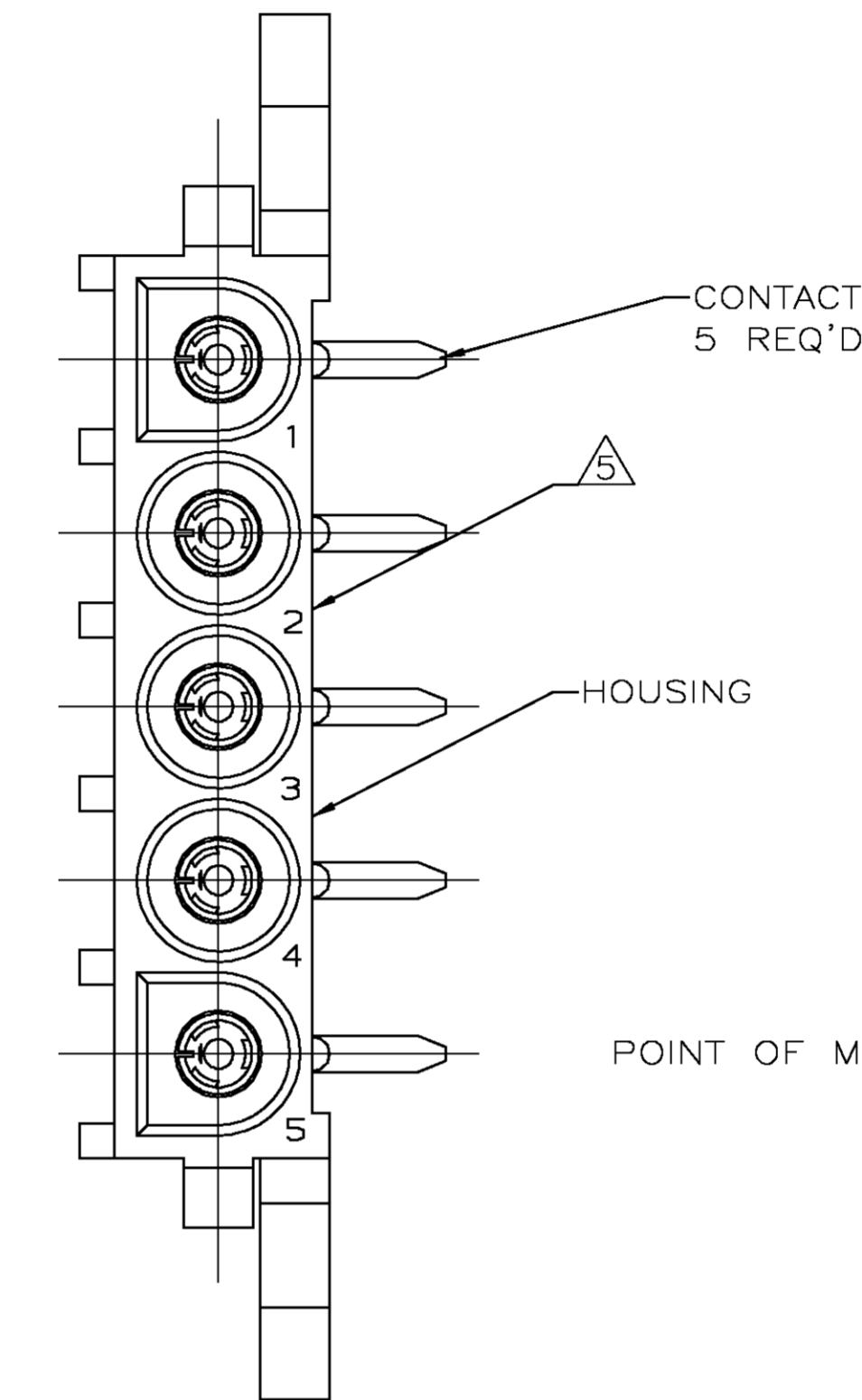
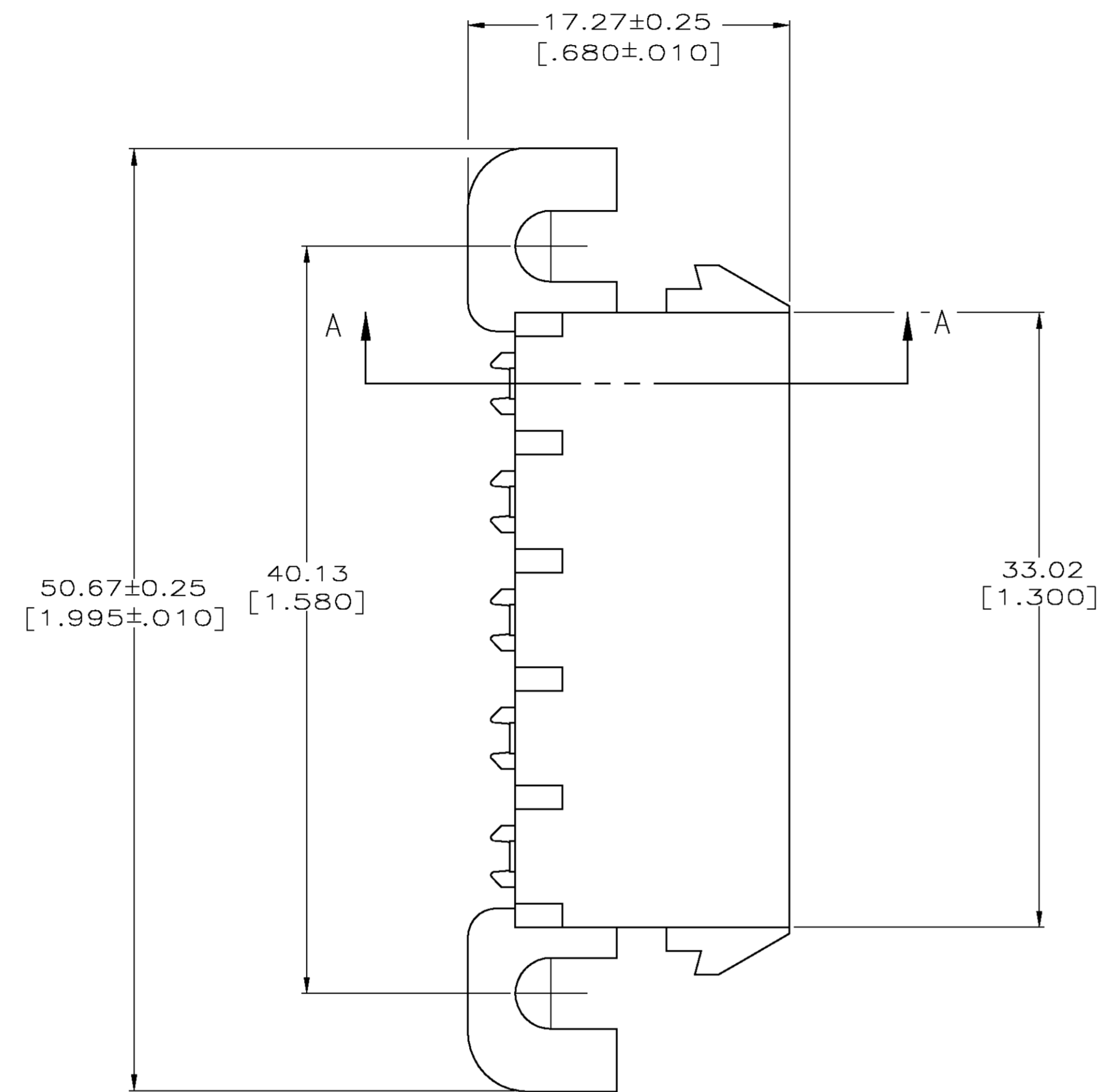
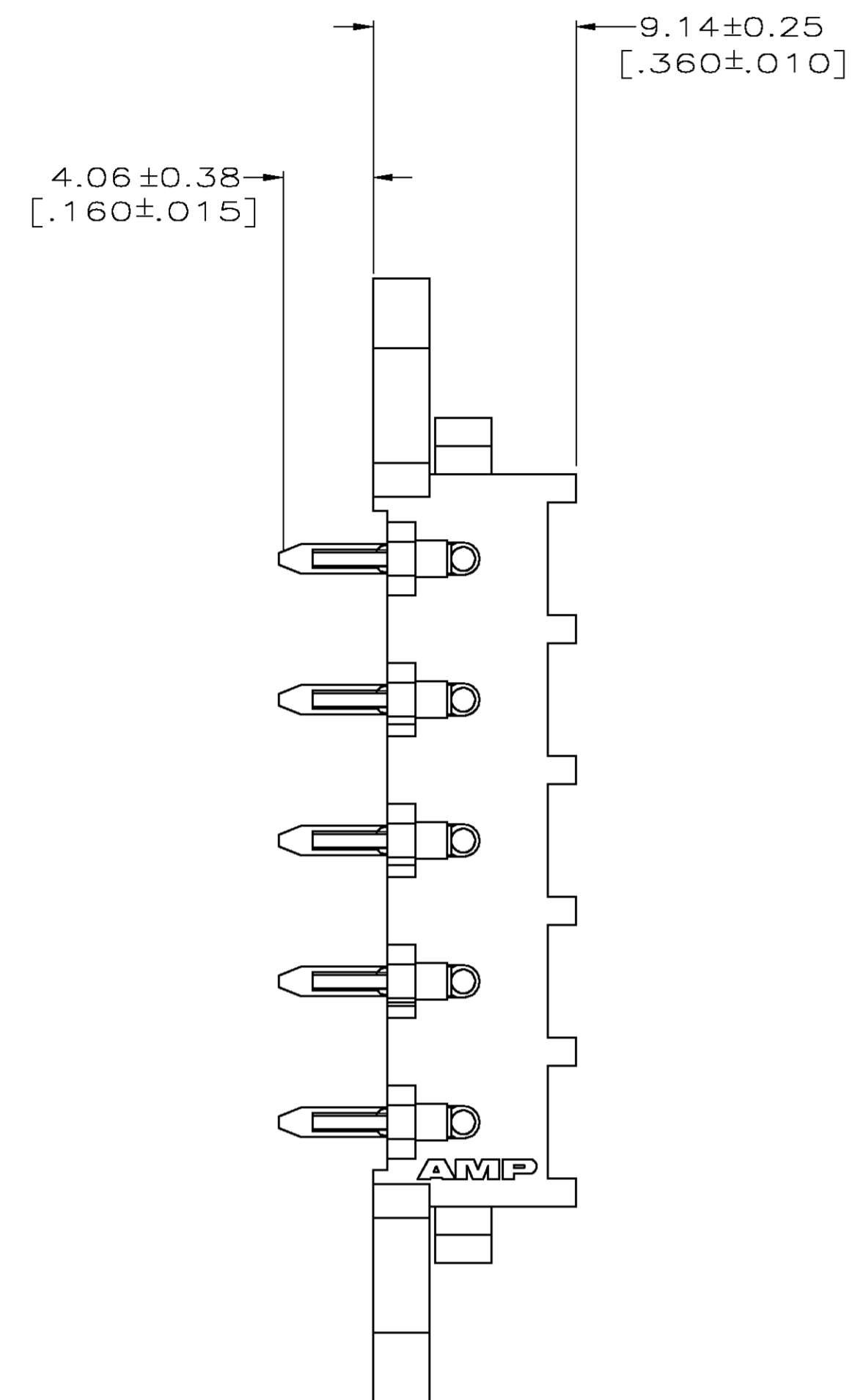
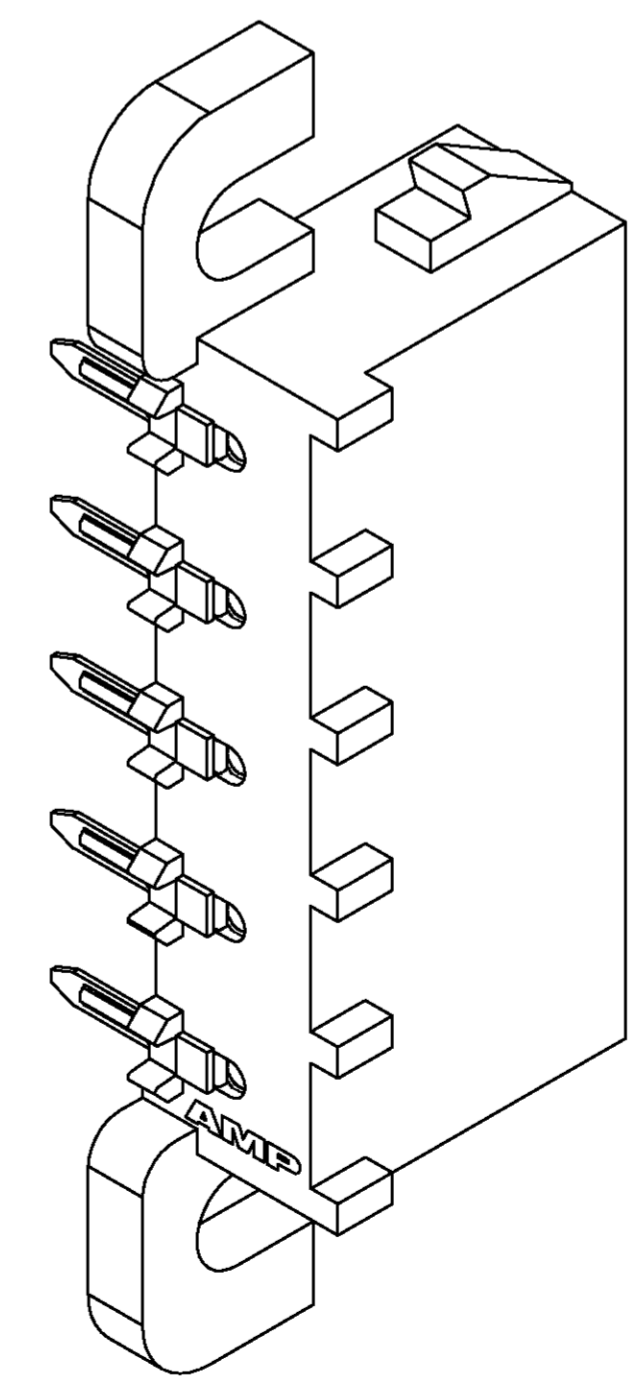


LOC		DIST		REVISIONS			
P	LTR	DESCRIPTION	DATE	DNW	APVD		
D		REVISED PER EC 0G3B-1094-04	21APR05	KW	SR		

- PARTS COMPLY WITH AMP SOLDERABILITY SPECIFICATION 109-11-5.
- TOLERANCE NON-CUMULATIVE.
- 0.00076 [.000030] GOLD OVER 0.00127 [.000050] MIN NICKEL WITH MATTE TIN LEAD ON SOLDER TAIL.
- DIMENSIONS IN BRACKETS ARE IN INCHES.
- CIRCUIT IDENTIFICATION CHARACTERS ARE ADJACENT TO THE INDICATED CAVITIES, BUT LOCATION AND ORIENTATION MAY DIFFER FROM PRINT.
- 0.00076 [.000030] GOLD OVER 0.00127 [.000050] MIN NICKEL WITH MATTE TIN ON SOLDER TAIL.



RECOMMENDED MOUNTING HOLE PATTERN FOR .062 [1.57] THICK P.C. BOARD



PH BRZ GOLD, Δ	NYLON UL 94V-0	3-643232-0
PH BRZ GOLD, Δ	NYLON UL 94V-0	643232-2
PH BRZ PRE-TIN	NYLON UL 94V-0	643232-1
CONTACT	HOUSING	PART NUMBER

METRIC

THIS DRAWING IS A CONTROLLED DOCUMENT.		DNW K. WHITAKER 21APR2005	Tyco Electronics Corporation Harrisburg, Pa 17105-3608
DIMENSIONS: mm [INCHES]		CHK S. RIDGILL 21APR2005	
TOLERANCES UNLESS OTHERWISE SPECIFIED:		APVD S. RIDGILL 21APR2005	NAME SOCKET HEADER ASSEMBLY, RIGHT ANGLE MOUNT, 5 POSITION, UNIVERSAL MATE-N-LOK(TM)
0 PLC ± -		APPLICATION SPEC	SIZE DATE CODE DRAWING NO
1 PLC ± -		WEIGHT	A1 00779 C=643232
2 PLC ± 0.13[.005]		CUSTOMER DRAWING	RESTRICTED TO
3 PLC ± -		SCALE 4:1	SHEET 1 of 1
4 PLC ± -			REV D
ANGLES ± -			
FINISH SEE TABLE			